

GATE TURN-OFF THYRISTOR

ATG777

Repetitive voltage up to **4500 V**
Mean on-state current **890 A**
Controllable on-state current **2400 A**
Surge on-state current **17 kA**

FINAL SPECIFICATION

nov 06 - ISSUE : 03

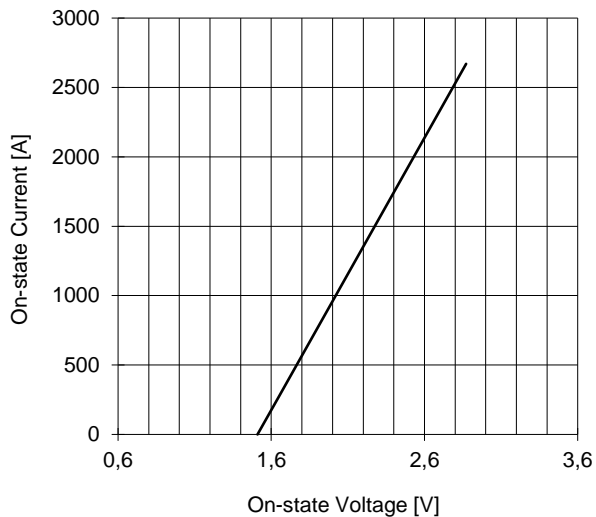
Symbol	Characteristic	Conditions	Tj °C	Value			Unit
				min	typ	max	
BLOCKING							
V _{DRM}	Repetitive peak off-state voltage		125			4500	V
V _{RRM}	Repetitive peak reverse voltage					16	V
I _{DRM}	Repetitive peak off-state current	V _D =V _{DRM} R _{GK} <2 ohm				100	mA
I _{RRM}	Repetitive peak reverse current	V _R =V _{RRM}				10	mA
(dv/dt) _{crit}	Critical rate of rise of off-state voltage, min	Linear ramp up to 50% V _{DRM} , shorted G-K				1000	V/uS
CONDUCTING							
I _{T(AV)}	Mean on-state current	180° sin, 50 Hz, Th=75°C, double side cooled				890	A
I _{TSM}	Surge on-state current	sine wave, 10 ms, no reverse voltage	125			17	kA
I ² t	I ² t for fusing coordination	10ms, no reverse voltage				1445	A ² s10 ³
V _T	On-state voltage	On-state current = 2000 A	25			2,73	V
V _{T(TO)}	Threshold voltage		125			1,51	V
r _T	On-state slope resistance					0,51	mohm
SWITCHING ON							
t _{gt}	Gate controlled turn on time	I _T = 2500A; di/dt = 350A/uS	125			10	uS
t _d	Delay time	I _{GM} > 50A; di _{GR} /dt = 25A/uS				3	uS
E _{on}	Turn-on switching energy	V _D = 2500V, C _S = 4uF; R _S = 5 ohm			2,8		J
(di/dt) _{crit}	Critical rate of rise of on-state current	I _T = 2400A, I _{GM} = 50A, di _{GR} /dt = 25A/uS	125			400	A/uS
SWITCHING OFF							
I _{TCM}	Controllable peak on-state current		125			2400	A
t _{gq}	Gate controlled turn-off time	I _{TC} = I _{TCM} , V _{DM} = 3500V				30	uS
t _s	Storage time	C _S = 4uF, di _{GR} /dt = 40 A/uS				28	uS
E _{off}	Turn-off switching energy	L _s = 0.28uH			8,5		J
I _{RG}	Turn-off reverse gate current					650	A
V _{DSP}	Spike voltage					850	V
TRIGGERING							
V _{GT}	Gate trigger voltage	V _D =24V	25			1,5	V
I _{GT}	Gate trigger current		25			3,0	A
V _{RGM}	Peak reverse gate voltage		25			16	V
I _{RGM}	Peak reverse leakage gate current	V _{RG} = V _{RGM}	125			10	mA
DISSIPATION							
R _{th(j-h)}	Thermal resistance junction to heatsink d.c.	Double side cooled				16	°C/kW
T _{vj}	Virtual junction temperature					125	°C
T _{stg}	Storage temperature			-40		150	°C
MOUNTING							
W	Weight					1300	g
F	Mounting force			31	/	35	kN
<p>ORDERING INFORMATION : ATG777 S 45 standard specification <input type="checkbox"/> <input type="checkbox"/> VDRM/100</p>							

ATG777 GATE TURN-OFF THYRISTOR

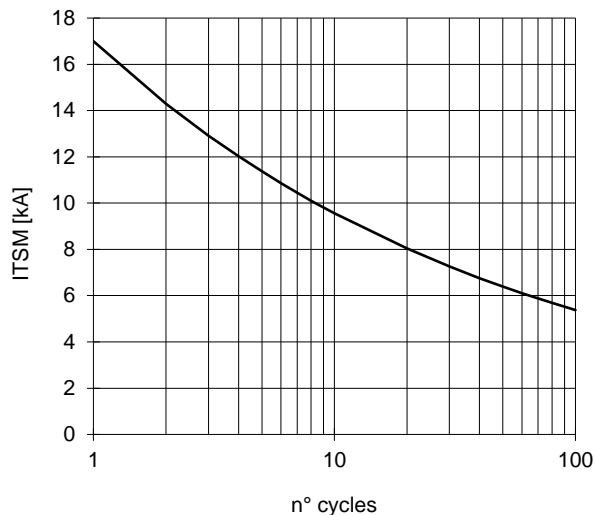


FINAL SPECIFICATION nov 06 - ISSUE : 03

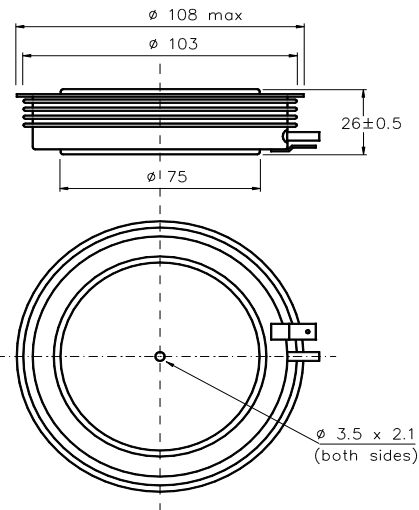
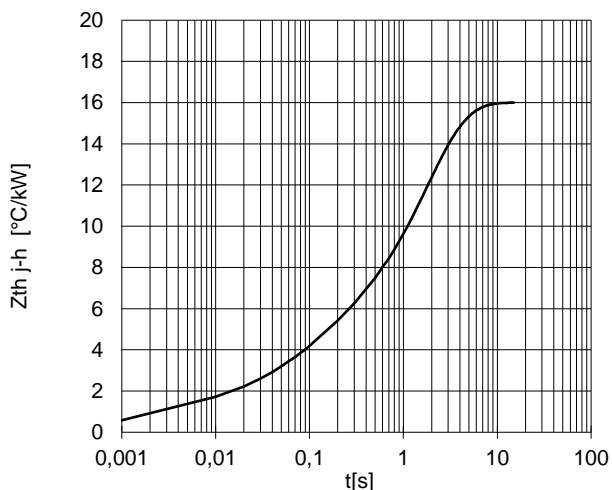
ON-STATE CHARACTERISTIC
T_j = 125 °C



SURGE CHARACTERISTIC
T_j = 125 °C



TRANSIENT THERMAL IMPEDANCE
DOUBLE SIDE COOLED



Dimensions
in mm



All the characteristics given in this data sheet are guaranteed only with uniform clamping force, cleaned and lubricated heatsink, surfaces with flatness < .03 mm and roughness < 2 μm.
In the interest of product improvement POSEICO Spa reserves the right to change any data given in this data sheet at any time without previous notice.
If not stated otherwise the maximum value of ratings (symbols over shaded background) and characteristics is reported.

Distributed by

